


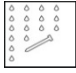



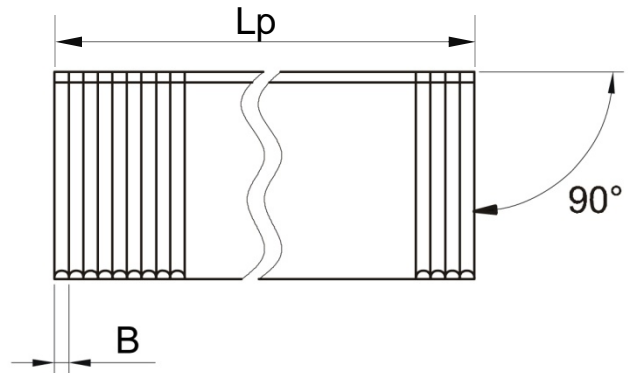
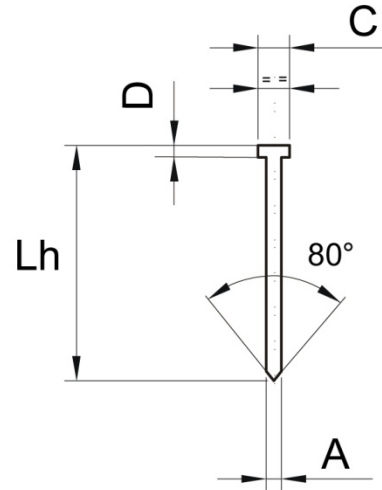
Brad type: F18 (18 Gauge) Straight Brads  
 Wire Ø: 1.20mm

### Suitable for the following tools\*:

Paslode FN1835.1, FN1850.1, FNS1850 IM50F18  
 haubold SKN30 JN/12, SKN40 I/12, SKN40 L-I/12, SKN50 L/12, SKN50 L-I/12  
 Duo-Fast FN4455, K4440A, K4440AGL  
*\*please check staple length compatibility with each tool before use*  
 Brad lengths available: 15mm – 50mm  
 Brads per strip: 50

## CORROSION PROTECTION

Finish	Usage Environment	Label Colour on Packaging
Zinc Galv 1-2µm	INDOOR 	Blue
Stainless Steel A2 AISI 304 / WNr 1.4301	INDOOR, COVERED OUTDOOR & OUTDOOR 	Yellow
Stainless Steel A4 AISI 316 / WNr 1.4401	INDOOR, COVERED OUTDOOR & OUTDOOR 	Yellow



## BRAD PROPERTIES / DIMENSIONS

Tensile strength of wire: min 950 N/mm<sup>2</sup>  
 Wire diameter (*d*): 1.20mm  
 Flattened wire dimension: (A): 1.00mm  
 (B): 1.25mm  
 Head height (D): 1.00mm  
 Head width (C): 1.90mm  
 Strip length (LP): 50 brads  
 Standard point: Diamond  
 Standard brad lengths (Lh): 15mm – 50mm

## BRAD LENGTHS AVAILABLE\*

Finish	Lengths Available <small>*Other lengths on request</small>
Zinc Galv 1-2µm	15mm, 16mm, 19mm, 25mm, 30mm, 32mm, 35mm, 38mm, 40mm, 45mm, 50mm
Stainless Steel A2 AISI 304 / WNr 1.4301	20mm, 25mm, 30mm, 35mm, 40mm
Stainless Steel A4 AISI 316 / WNr 1.4401	20mm, 25mm, 30mm, 35mm

Paslode is a brand of the ITW Group. ITW reserves the right to change specification without notice. All design using this data should be carried out by a qualified structural engineer, subject to relevant National and European standards or regulations.